



“RG2” series

Regulator specialized for small size and light weight(33g[0.07pound]).

■ Features

- The most compact construction and weight about 33g allows the best installation in saved space and compact design without care about its weight.
- Excellent performance as air precision regulators at a small flow rate of 5L/min(ANR) or less.
- Extremely little leakage.



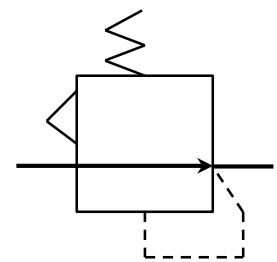
■ Applications

- Ideal for applications that are compact and require pressure characteristics.

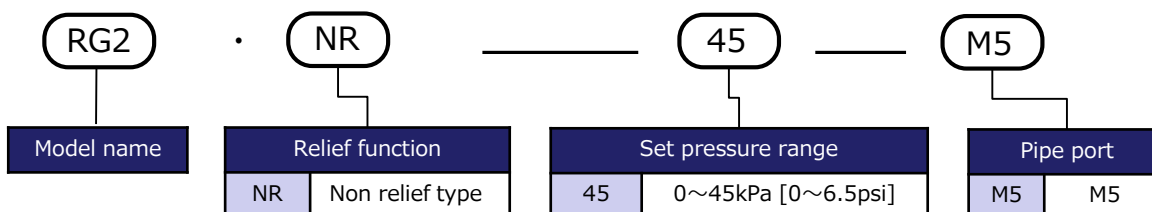
■ Specification

Model name		RG2 · NR-45-M5
Working fluid		Clean compressed air
Set pressure range	kPa[psi]	45 MAX [6.5]
Supply pressure range	kPa [psi]	200 MAX [29]
Operating temperature	°C[°F]	5 ~ 50 [41 ~ 122]
Pipe port	Rc	M5×0.8 [0.03]
Weight	kg[pound]	0.033 [0.07]

■ JIS code



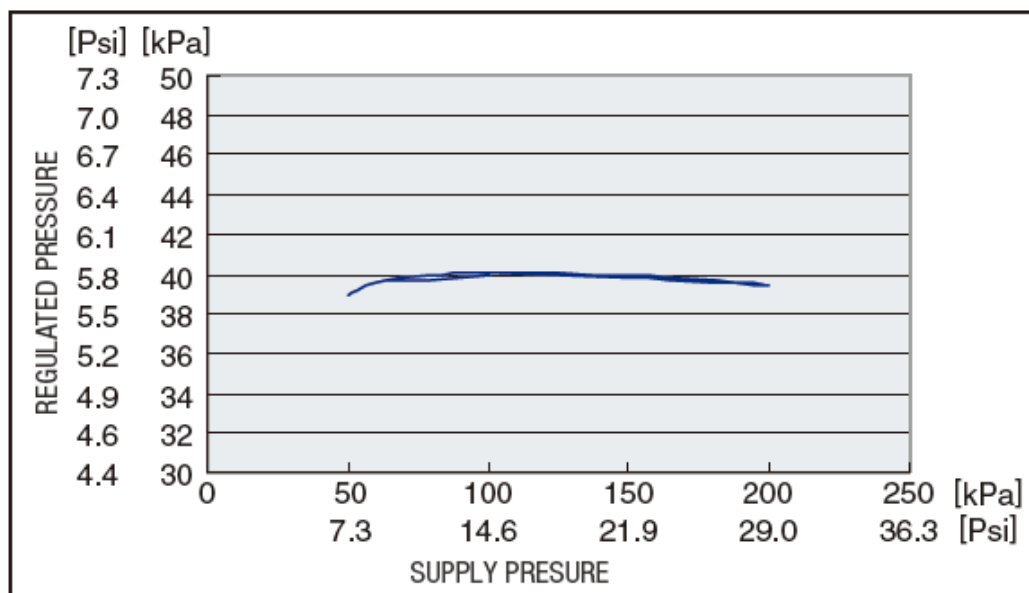
■ Model designation





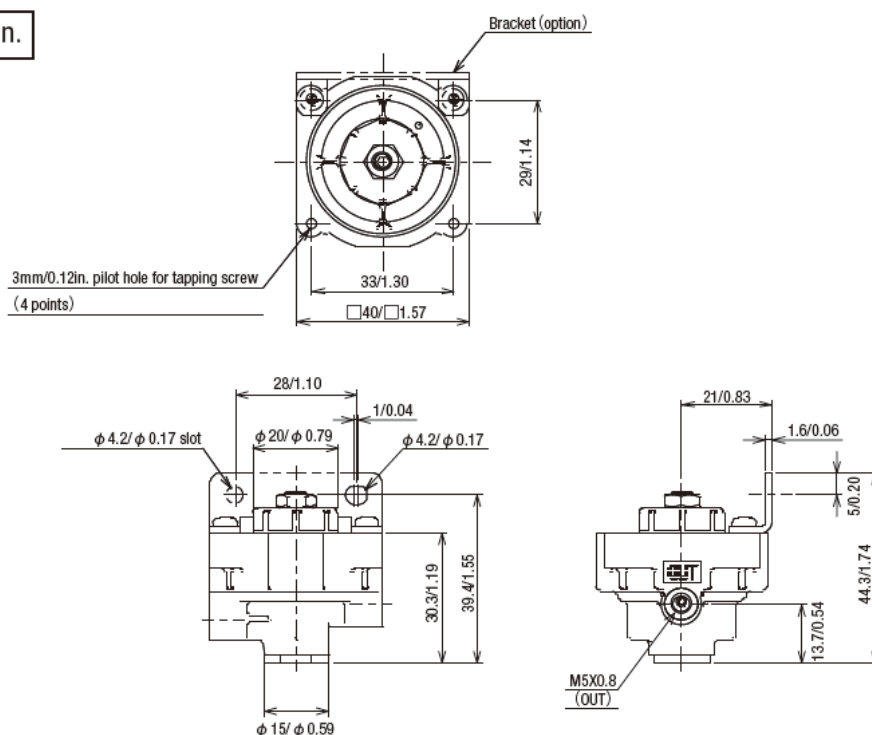
FUJIKURA COMPOSITES

■ Characteristic



■ Size

mm/in.



**FUJIKURA
COMPOSITES**

Contact us

Control Equipment

Head office: TOC Ariake East Tower 10F, 3-5-7 Ariake,
Koto-ku, Tokyo, Japan 135-0063

TEL +81-3-3527-8573

E-mail: seigyotoiawase.en@fc.fujikura.co.jp

URL: <http://www.fujikura-control.com/>